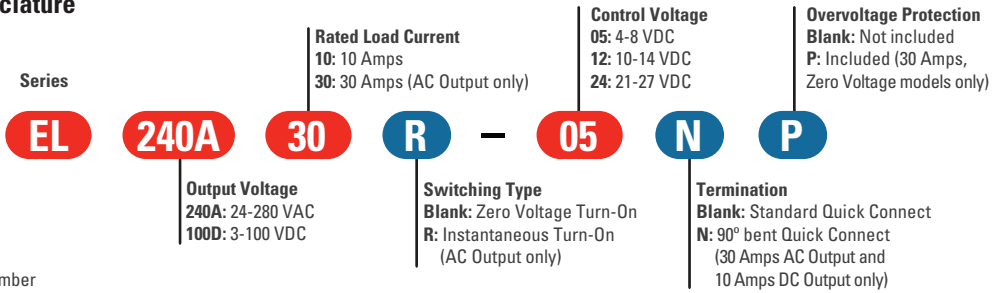


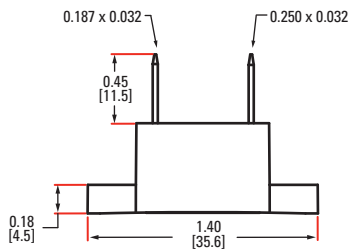
Part Number Nomenclature



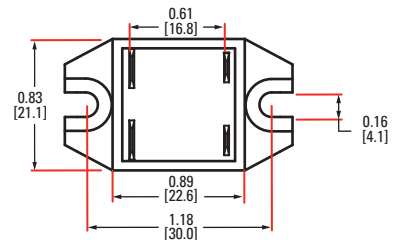
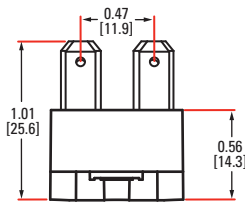
- Required for valid part number
- For options only and not required for valid part number

Mechanical Dimensions

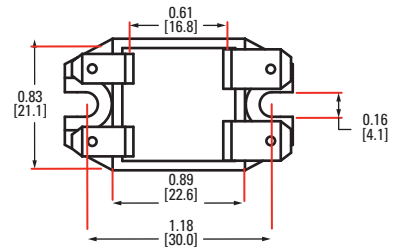
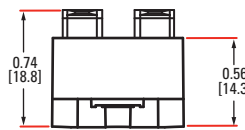
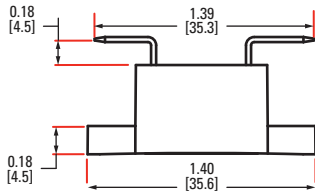
Tolerances: ±0.02 in / 0.5 mm
All dimensions are in: inches [millimeters]



Standard Quick Connect terminals

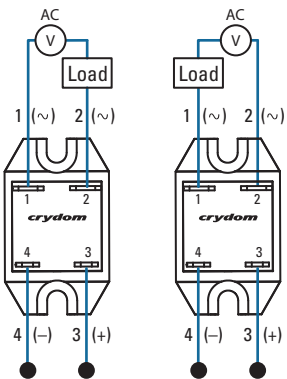


90° bent Quick Connect terminals

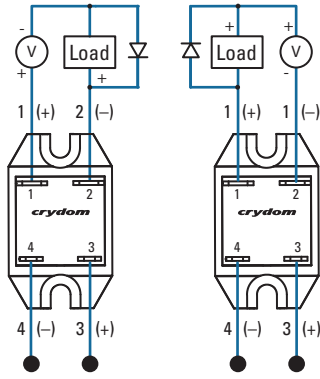


Wiring Diagram (G,H)

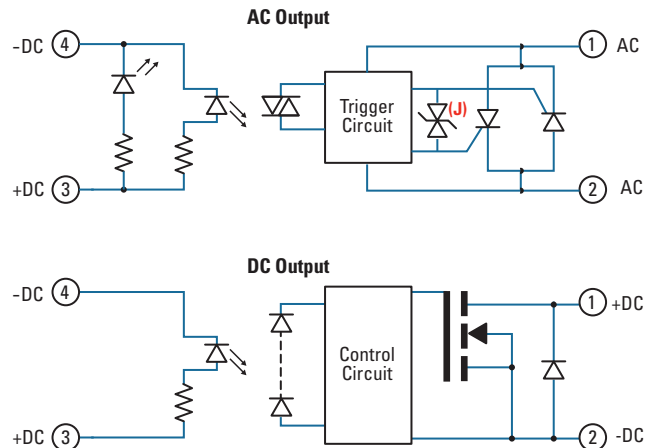
AC Output



DC Output



Block Diagram



AC Pinout

Terminal 1: AC Load
Terminal 2: AC Load
Terminal 3: DC Control (+)
Terminal 4: DC Control (-)

DC Pinout

Terminal 1: DC Load (+)
Terminal 2: DC Load (-)
Terminal 3: DC Control (+)
Terminal 4: DC Control (-)

General Notes

- (G)** For AC loads, the AC line can be wired to either terminal 1 or terminal 2. For DC loads, the proper polarity must be observed for the power supply and load with terminal 1 being positive with respect to terminal 2.
- (H)** DC inductive loads must be diode suppressed.
- (J)** Elective Overvoltage Protection, "P" option.



EL Series DC Output Panel Mount SSRs

- Compact 21 mm wide mini-puck panel mount package
- Ratings of 10A @ 3 to 100 VDC
- 5, 12 & 24 VDC control options available
- Thermal pad included
- MOSFET Output
- UL & cUL Recognized, CE & RoHS Compliant, TUV Certified



Output Specifications (A,H)

10 A

Operating Voltage Range [VDC]	3-100
Minimum Load Current [mADC]	20
Maximum Surge Current Non-Repetitive (10ms) [A]	100
Maximum Off-State Leakage Current @ Rated Voltage [μ ADC]	100
Maximum On-State Resistance @ Rated Current (Rds-on) [Ohm]	0.02
Maximum On-State Voltage Drop @ Rated Current [V]	0.25
UL 508 Resistive Load @ Rated Voltage [A] (D)	10

Input Specifications (A)

EL100Dxx-05

EL100Dxx-12

EL100Dxx-24

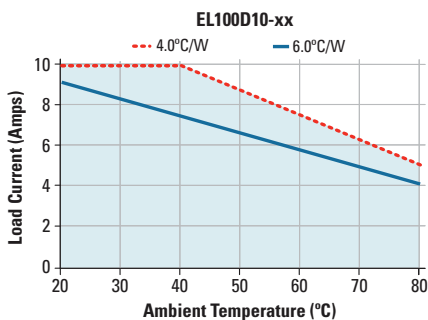
Nominal Control Voltage [VDC]	5	12	24
Control Voltage Range [VDC]	4-8	10-14	21-27
Minimum Turn-On Voltage	4	10	21
Must Turn-Off Voltage	0.5	1	2
Typical Input Current @ Nominal Control Voltage [mA]	13.3	11.7	11.5
Nominal Input Impedance [Ohm]	300	940	2k
Maximum Turn-On Time [msec]		1	
Maximum Turn-Off Time [μ sec]		300	

General Specifications (A)

Parameters

Dielectric Strength, Input/Output/Base (50/60 Hz) [Vrms]	2500
Ambient Operating Temperature Range [°C]	-30 to 80
Ambient Storage Temperature Range [°C]	-30 to 125
Weight (typical) [oz] (g)	0.5 (14.4)
Terminal type / size [in] (mm)	Quick Connect / 0.187 (4.75) input, 0.25 (6.35) output

Derating Curves (F)



General Notes

- (A) All parameters at 25°C unless otherwise specified.
- (D) Heat sink required, see derating curves.
- (F) 100% Duty Cycle.
- (H) DC inductive loads must be diode suppressed.